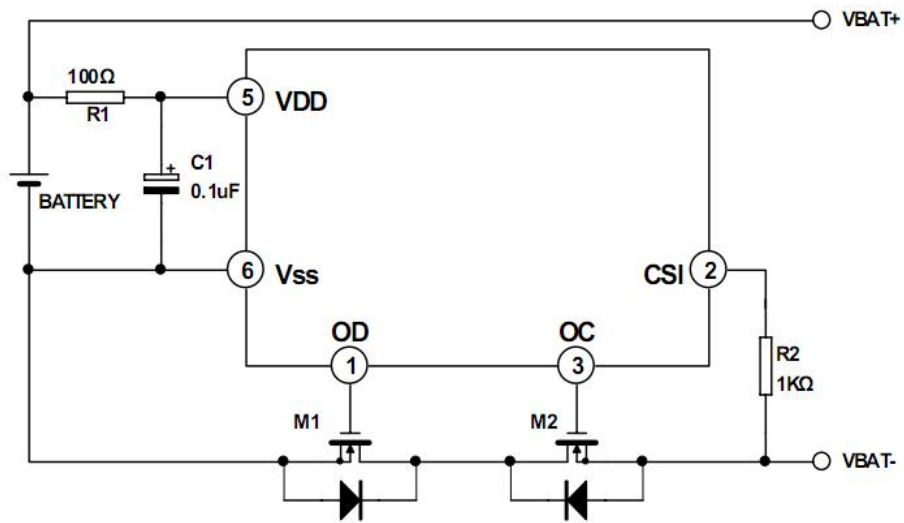


11. Typical Application Circuit



Note: the above line and parameters are only for reference, the actual application circuit, please set the parameters on the basis of the full measurement.

12.Package Outline (Unit: mm)

SOT-23-6

